

How to Use This Manuals

HOW TO USE THIS MANUALS

1. How to Use This Manuals

A: HOW TO USE THIS MANUALS

1. STRUCTURE

Each section consists of SCT that are broken down into SC that are divided into sections for each component. The specification, maintenance and other information for the components are included, and the diagnostic information has also been added where necessary.

2. CONTENTS

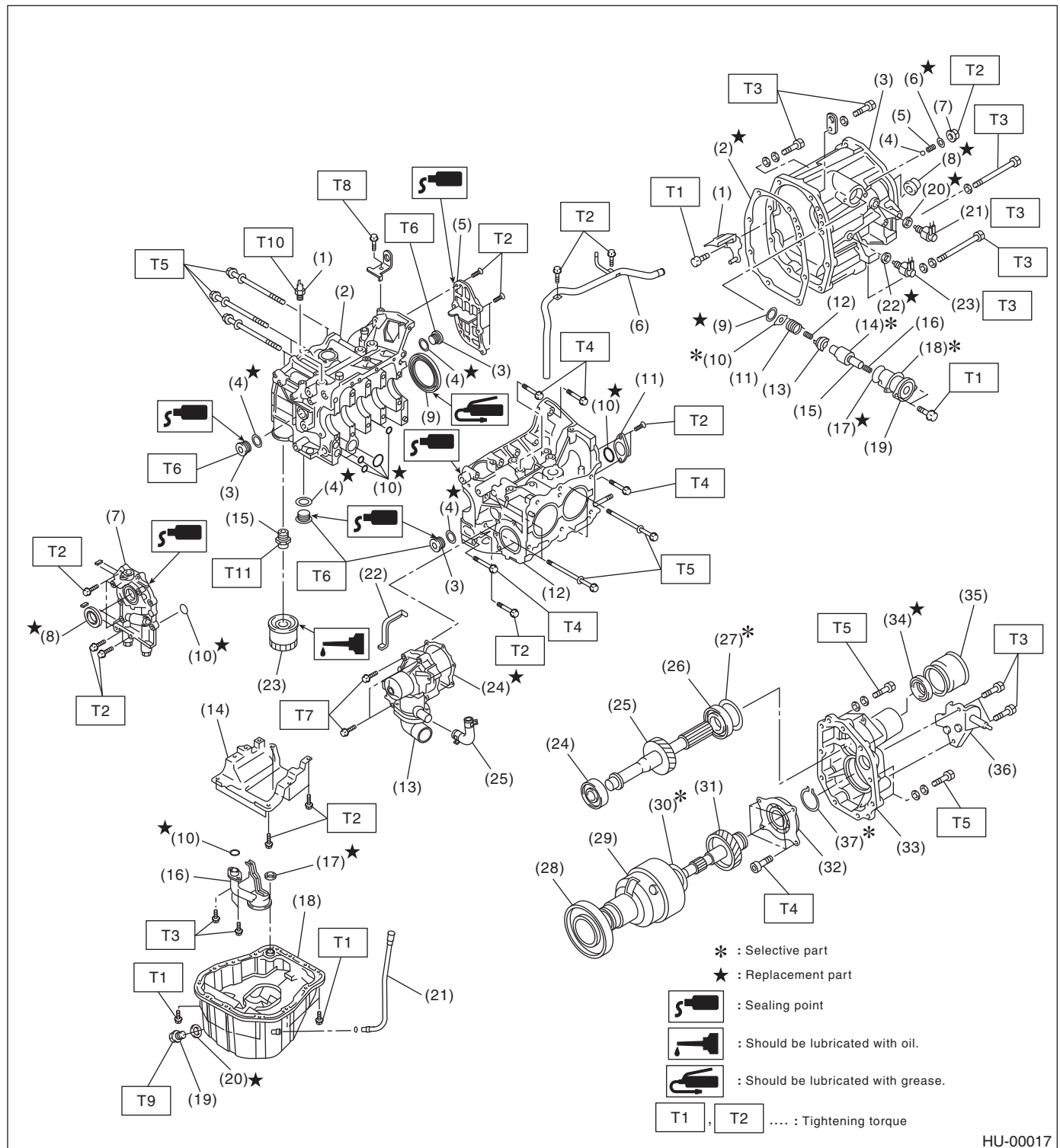
The first page has an index with tabs.

3. COMPONENT

Illustrations are provided for each component. The information necessary for repair work (tightening torque, grease up points, etc.) is described on these illustrations. Information is described using symbol.

To order parts, refer to parts catalogue.

Example:



HU-00017

How to Use This Manuals

HOW TO USE THIS MANUALS

4. DEFINITION OF “NOTE”, “CAUTION” AND “WARNING”

- **NOTE:**

describes supplementary explanations for efficient operation.

- **CAUTION:**

describes particular items to be followed and items to be prohibited to avoid vehicle or parts damage.

- **WARNING:**

describes items to be strictly prohibited to avoid serious injury to the person doing the work or people in the area, and items to be strictly followed to avoid any deficiency or accident.

5. SPECIFICATION

If necessary, specifications are also included.

6. INSPECTION

Inspections to be carried out before and after maintenance are included.

7. MAINTENANCE

- Maintenance instructions for serviceable parts describe work area and detailed step with illustration. It also describes the use of special tool, tightening torque, caution for each procedure.
- If many serviceable parts are included in one service procedure, appropriate reference is provided for each parts.

Example:

15.Main Shaft ← (A)

A: REMOVAL ← (B)

1) Remove the manual transmission assembly from vehicle. <Ref. to MT-33, REMOVAL, Manual Transmission Assembly.> ← (C)

11) Tighten the lock nuts to the specified torque using ST1 and ST2.

NOTE: ← (D)

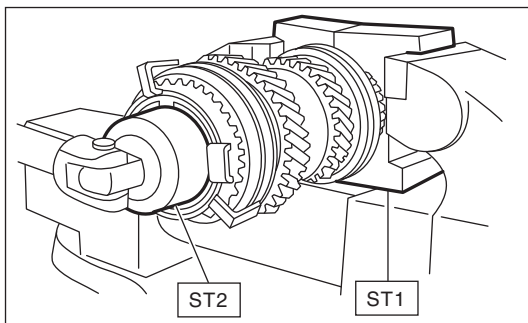
Secure the lock nuts in two places after tightening.

ST1 498937000 TRANSMISSION HOLDER

ST2 499987003^(E) SOCKET WRENCH (35)^(F)

Tightening torque:

118 N·m (12.0 kgf-m, 86.8 ft-lb) ← (G)



← (H)

HU-00020

(A) Component

(B) Process

(C) Reference

(D) Cautions

(E) Tool number of special tool

(F) Name of special tool

(G) Tightening torque

(H) Illustration

How to Use This Manuals

HOW TO USE THIS MANUALS

8. DIAGNOSIS

Diagnosis uses step-by-step process to make operations easier.

9. SI UNITS

Measurements in these manuals are according to the SI units. Metric and yard/pound measurements are also included.

Example:

Tightening torque:

44 N·m (4.5 kgf·m, 33 ft·lb)

LIST OF SI UNIT

Item	SI units	Conventional unit	Remarks
Force	N (Newton)	kgf	1 kgf = 9.80655 N
Mass (Weight)	kg, g	kg, g	
Capacity	ℓ, mℓ or cm ³	ℓ or cc	1 cc = 1 cm ³ = 1 mℓ
Torque	N·m	kgf·m, kgf·cm	1 kgf·m = 9.80655 N·m
Rotating speed	rpm	rpm	
Pressure	kPa (kilopascal)	kgf/cm ²	1 kgf/cm ² = 98.0655 kPa
		mmHg	1 mmHg = 0.133322 kPa
Power	W	PS	1 PS = 0.735499 kW
Calorie	W·h	cal	1 kcal = 1.16279 W·h
Fuel consumption rate	g/kw·h	g/PS·h	1 g/PS·h = 1.3596 g/kW·h

The figure used in these manuals are described in the SI units and conventional units are described in ().

10.EXPLANATION OF TERMINOLOGY

• LIST OF ABBREVIATIONS

AAI	: Air Assist Injection	IG	: Ignition
A/B	: Airbag	IN	: Intake
ABS	: Anti-lock Brake System	INT	: Intermittent
A/C	: Air Conditioner	I/O	: Input / Output
A/F	: Air Fuel Ratio	ISC	: Idle Speed Control
ALT	: Generator	LAN	: Local Area Network
APS	: Accessory Power supply Socket	LH	: LH (Left Hand)
ASSY	: Assembly	LSD	: Limited Slip Differential
AT	: Automatic Transmission	M/B	: Main Fuse & Relay Box
ATF	: Automatic Transmission Fluid	MD	: Mini Disc
AVCS	: Active Valve Control System	MID	: Multi Information Display
AWD	: All Wheel Drive	MFI	: Multi-Point Fuel Injection
BATT	: Battery	MP-T	: Multi-Plate Transfer
BCM	: Brake Control Module	MT	: Manual Transmission
BJ	: Bell Joint	NA	: Natural Aspiration
CAN	: Communication Area Network	NC	: Normal Close (Relay)
CD	: Compact Disc	NO	: Normal Open (Relay)
COMPL	: Complete	OP	: Option Parts
CPU	: Central Processing Unit	PC	: Personal Computer
DOHC	: Double Overhead Camshaft	PCV	: Positive Crankcase Ventilation
DOJ	: Double Offset Joint	P/S	: Power Steering
DTC	: Diagnostic Trouble Code	PTJ	: Pillow Tripod Joint
EBJ	: High-efficiency Compact Ball Fixed Joint	P/W	: Power Window
ECM	: Engine Control Module	RH	: RH (Right Hand)
EDJ	: High-efficiency Compact Double Offset Joint	Rr	: Rear
EGI	: Electronic Gasoline Injection	SDI	: SUBARU Diagnostic Interface
E/G	: Engine	SI	: SUBARU Intelligent
EGR	: Exhaust Gas Recirculation	SOHC	: Single Overhead Camshaft
ETC	: Electronic Throttle Control	SRS	: Supplemental Restraint System
EX	: Exhaust	ST	: Special Tool
F/B	: Fuse & Joint Box	SW	: Switch
Ft	: Front	TCS	: Traction Control System
FWD	: Front Wheel Drive	TGV	: Tumble Generator Valve
GPS	: Global Positioning System	T/M	: Transmission
HID	: High-Intensity Discharge	UJ	: Universal joint
H/U	: Hydraulic Unit	VDC	: Vehicle Dynamics Control
HVAC	: Heater, Ventilator and Air Conditioner	VTD	: Variable Torque Distribution

How to Use This Manuals

HOW TO USE THIS MANUALS
